

# Italcamme S.r.l - Order form EMILBLOCK device

Date: \_\_\_\_\_

Pieces No.: \_\_\_\_\_

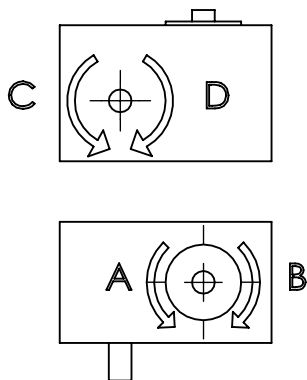
Customer: \_\_\_\_\_

Payment: \_\_\_\_\_

Order No.: \_\_\_\_\_

Attn.: \_\_\_\_\_

## DIRECTIONS OF ROTATION



A-C = camma sinistra left hand cam =S

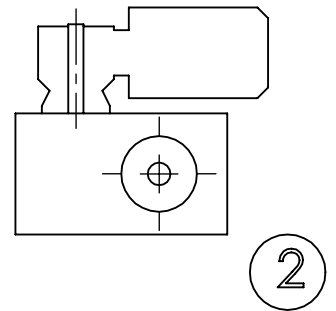
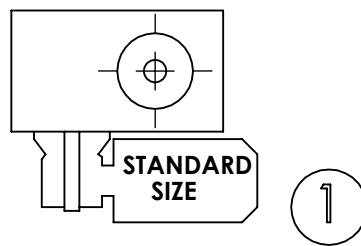
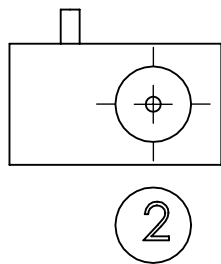
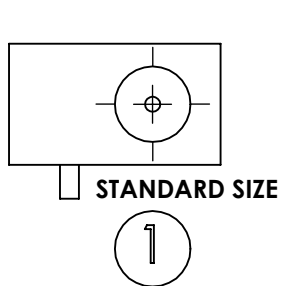
A-D = camma destra right hand cam =D

B-C = camma destra right hand cam =D

B-D = camma sinistra left hand cam =S

## INPUT SHAFT POSITION VSS VERSION

## INPUT SHAFT POSITION VSL VERSION



## CODE FOR ORDERING

	<input type="text"/>	<input type="text"/>	<input type="text"/>	<input type="text"/>	<input type="text"/>	<input type="text"/>	<input type="text"/>
EXAMPLE CODE FOR ORDERING	100	4	270	D	1	VSL	W75
SIZE	↑	↑	↑	↑	↑	↑	↑
NUMBER OF STOPS		↑	↑	↑	↑	↑	↑
DISPLACEMENT ANGLE			↑	↑	↑	↑	↑
LEFT HAND CAM(=S) OR RIGHT HAND CAM(=D)				↑	↑	↑	↑
SHAFT POSITION (1 OR 2) IF NOT REQUIRED, POSITION 1					↑	↑	↑
INPUT SHAFT VERSION (VSS OR VLS)						↑	↑
HOLES FOR REDUCER AND SIZE							↑